

# nifty

# HR17

## SELF PROPELLED ACCESS PLATFORM



**17.20m (56ft 5in)**  
Working height

**9.60m (31ft 6in)**  
Working outreach

**45% Gradeability**  
4WD for rough terrain

**Suspension System**  
Improved traction on  
uneven terrain

**2.00m Chassis Width**  
Operation in confined areas

**Fully Proportional  
Hydraulic Controls**  
Simple, reliable &  
easy to use

**1.80m Wide Platform**  
Improving operator comfort

**Platform Rotation  
& Fly-Boom**  
Improved access to applications



[niftylift.com](http://niftylift.com)

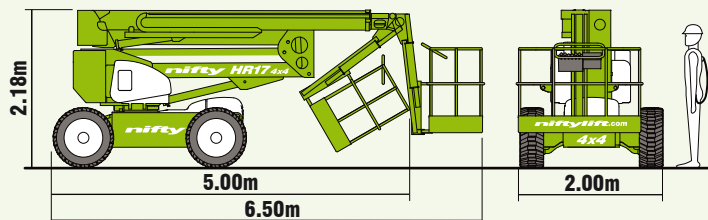
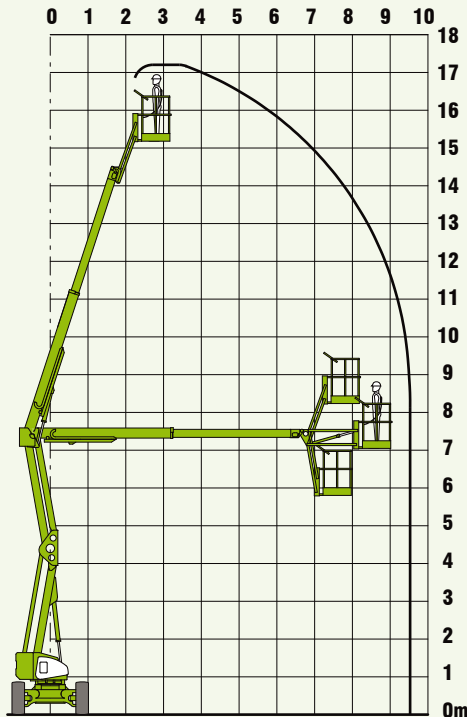
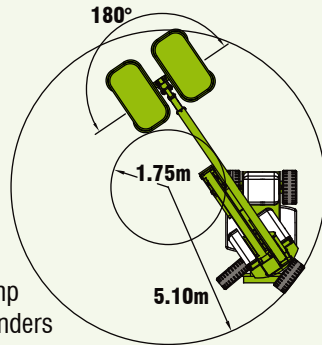


# nifty Heightrider 17

The Nifty **Height Rider 17** will lift 2 men and tools to a working height of 17.20m or an outreach of 9.60m. Fully proportional hydraulic controls make the **HR17** simple to use, reliable and easy to maintain, keeping running costs low and minimising downtime. 180° platform rotation and a 150° fly-boom give greater control over positioning the platform making jobs both quicker and easier than before. Its weight saving and compact chassis give the **HR17** excellent manoeuvrability on site and its powerful 4-Wheel Drive ensure that it can handle even the roughest terrain.

## SAFETY FEATURES

- Automatic Failsafe Brakes
- Tilt Alarm
- Foam Filled Tyres
- Dual Harness Points
- CE Marked
- Dual Controls (Platform & Base)
- Manual Recovery with Hand Pump
- Lock Valves on all Hydraulic Cylinders



The Nifty **HR17's** unique suspension system ensures maximum traction when travelling over uneven ground and the 1.8m wide platform allows the operator ample space for tools.

## SPECIFICATIONS

<b>Working Height</b>	17.20m	56ft 5in
<b>Platform Height</b>	15.20m	49ft 10in
<b>Working Outreach</b>	9.60m	31ft 6in
<b>Slew</b>	360°	
<b>Fly-Boom Arc</b>	150°	
<b>Width</b>	2.00m	6ft 7in
<b>Height</b>	2.18m	7ft 2in
<b>Length - Stowed</b>	5.00m	16ft 5in
<b>- Overall</b>	6.50m	21ft 4in
<b>Minimum Weight</b>	6,500kg*	14,330lbs*
<b>Turning Radius - Inside</b>	1.75m	5ft 9in
<b>- Outside</b>	5.10m	16ft 9in
<b>Platform Rotation</b>	180°	
<b>Platform Capacity</b>	225kg	
<b>Platform Size</b>	1.80m x 0.70m	5ft 11in x 2ft 4in
<b>Drive Speed</b>	6.6kph	4.1mph
<b>Gradeability</b>	45%	
<b>Control System</b>	Fully Proportional Hydraulic	
<b>Power System</b>	Kubota 1505 32Hp Diesel	

\* Weights may vary according to specification, please confirm before ordering.

Due to a policy of continuing development and improvement, Niftylift reserves the right to change any specification without notice. Please confirm exact specification before ordering.

Supplied by:

Manufacturers of trailer mounted,  
self propelled and vehicle mounted platforms.

**NIFTYLIFT LTD**  
Fingle Drive  
Stonebridge  
Milton Keynes  
MK13 0ER  
England

[www.niftylift.com](http://www.niftylift.com)

e-mail: [info@niftylift.com](mailto:info@niftylift.com)  
Tel.: +44 (0) 1908 223456  
Fax.: +44 (0) 1908 312733

