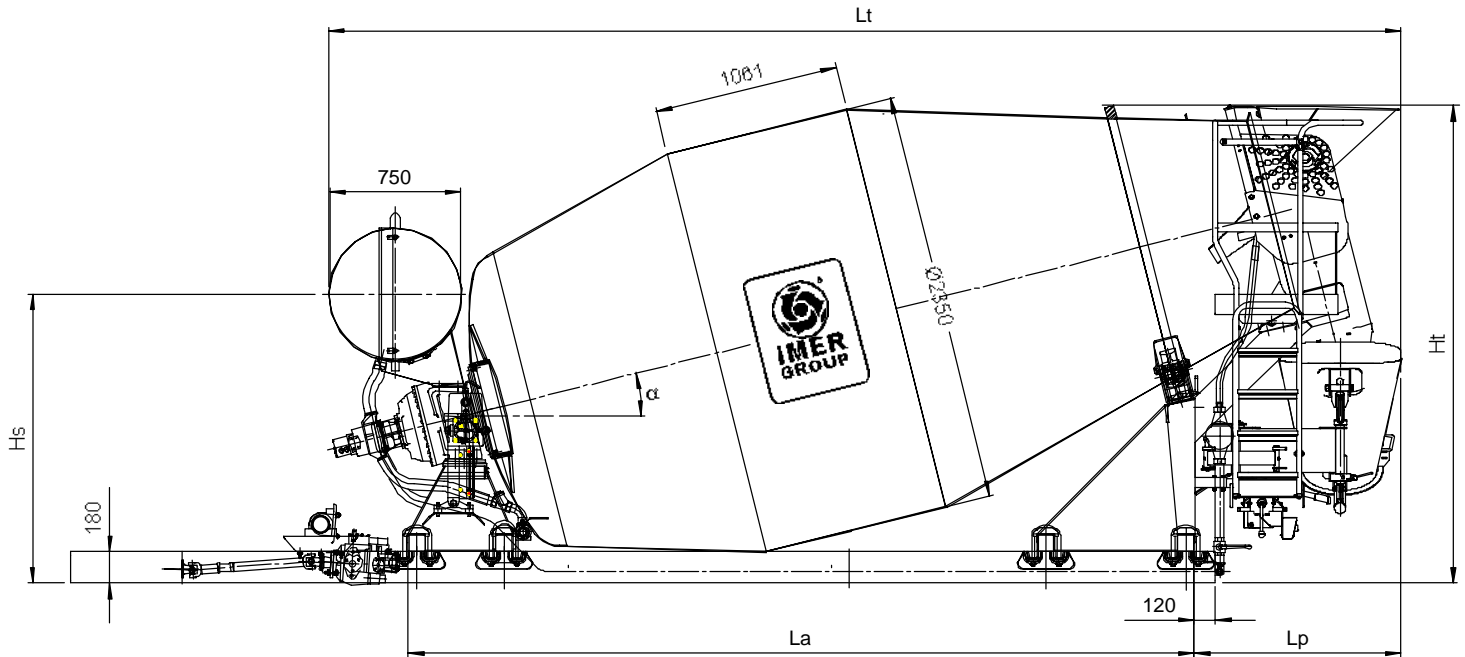


LT 8XL.7H



α	14 °
Ht	2735 mm
Hs	1656 mm
Lt	6135 mm
La	4502 mm
Lp	1184 mm

Data sheet

Nominal capacity	8,5(9,5) m ³
Geometrical volume	14,014 m ³
Capacity in water	9,580 m ³
Drum speed	0-14 rev/min
Filling capacity	15"/m ³
Unloading capacity	15" - 40"/m ³ depending on concrete slump
Weight (empty)	3.650 kg
Vehicle	8x4
Rollers	n. 2 diam. 280 mm

Drum walls made in 30MnB5 anti-wear resistant steel - HB 200/220 N/mm² (4 mm thickness)
Mixing blades made in 30MnB5 anti-wear resistant steel - HB 200/220 N/mm² (4 mm thickness)

Motion

H version: by P.T.O. on truck engine (excluded from our supply)

LT 8XL.7H



Controls

By cable with control box

Hydrostatic transmission

Eaton 64.21 (105 cm³/rev) variable displacement hydraulic pump with 25 cm³/rev feeding pump
Eaton 46.31 (73.5 cm³/rev) fixed displacement hydraulic motor
OK 2.6 (60.000 Nm) double stage planetary gearbox
Oil cooler (42.000 BTU) built in oil tank, complete with cartridge filter with indicator and electric fan with thermostat tropical type

Water system

650l steel water tank with indicator. (option:1000l)
LTC30 water pump (450 l/min at 4 bar) belt driven
0-500l water meter

Standard features

- 180° swivelling discharging chute with support and mechanical jack for lifting.
- 2 Polystone lightweight extension chutes with holders
- Anti-wear resistant plate on discharging hopper
- Inspection manhole
- Inspection ladder
- Wash off hose on ladder pedestal
- Drum lock (for safety maintenance operations)
- Mixer frame "C" shaped
- Carrying rollers made in C45 special steel
- Steel surfaces shot blasted in SA 2,5 grade
- Double primed in antirust painting



Optionals / Variations

- Additional extension steel chute L=1000 mm
- Additional short extension steel chute L=500 mm
- Additional polystone extension chute (light construction) L=1000 mm
- Additional short polystone extension chute (light construction) L=500 mm
- Telescopic discharging chute LT 555 with funnel
- Funnel chute ø195 mm
- Hinged extension steel chute
- Hinged extension Polystone chute (light construction)
- Flap on discharging chute
- Anti wear protection sheet on feeding hopper
- Anti wear protection sheet on discharging chute
- Vibrator on discharging chute
- Half hydraulic drum cover
- Full hydraulic drum cover
- Hydraulic manometer with large gauge ø 65 mm placed at the rear
- Hydraulic manometer with large gauge ø 100 mm placed at the rear
- Water connection on two sides

LT 8XL.7H



- Additional valve for water tank closing
- Rear steel mud-guards and supports (one pair)
- Rear aluminium mud-guards and supports (one pair)
- Rear aluminium mud-guards with the smooth surface on the outside and supports (one pair)
- Mud-guards for front axle and supports (one pair)